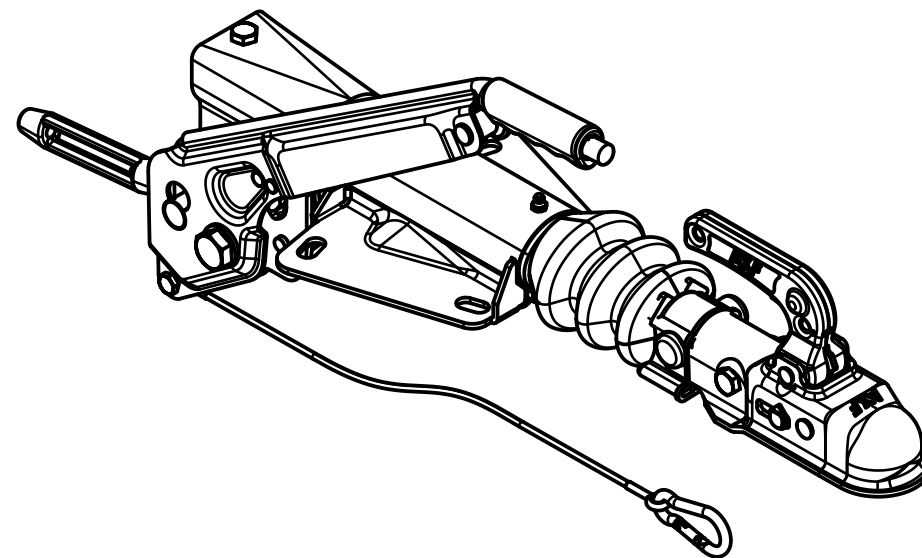
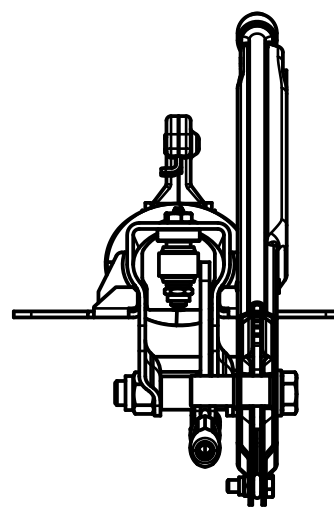
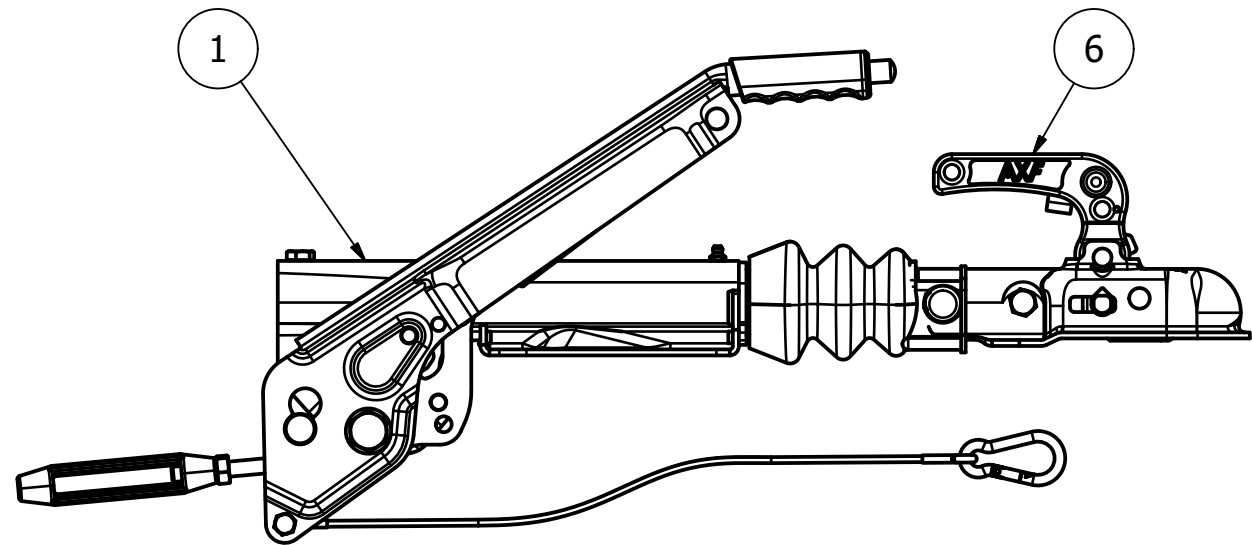
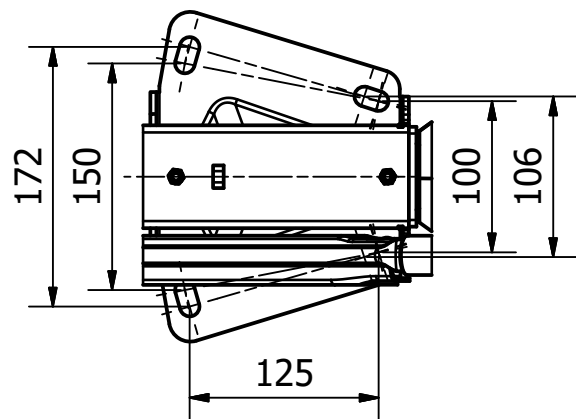
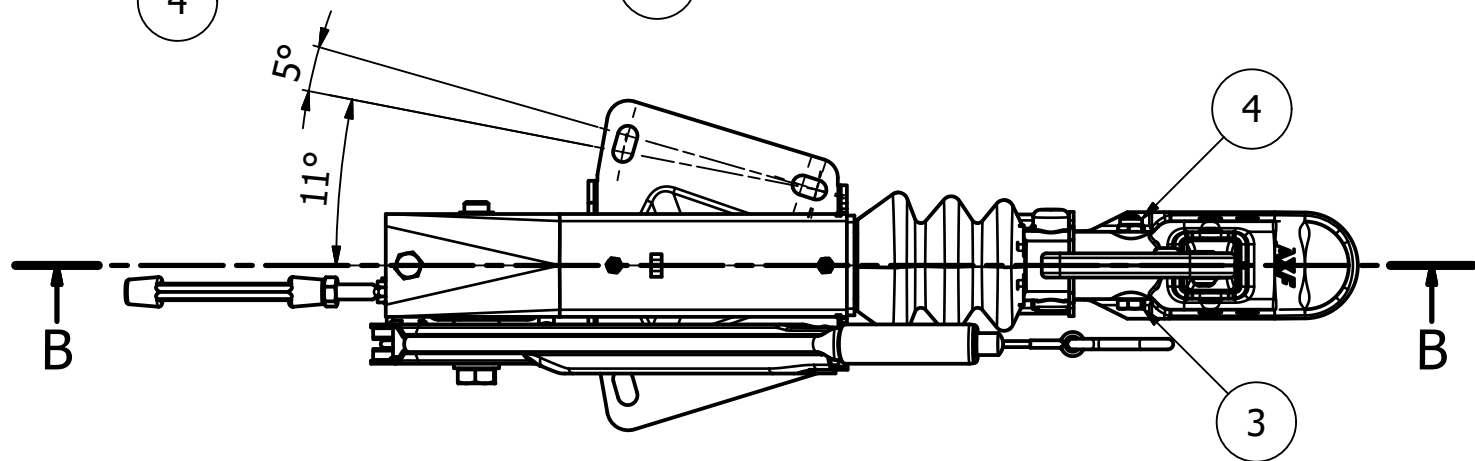
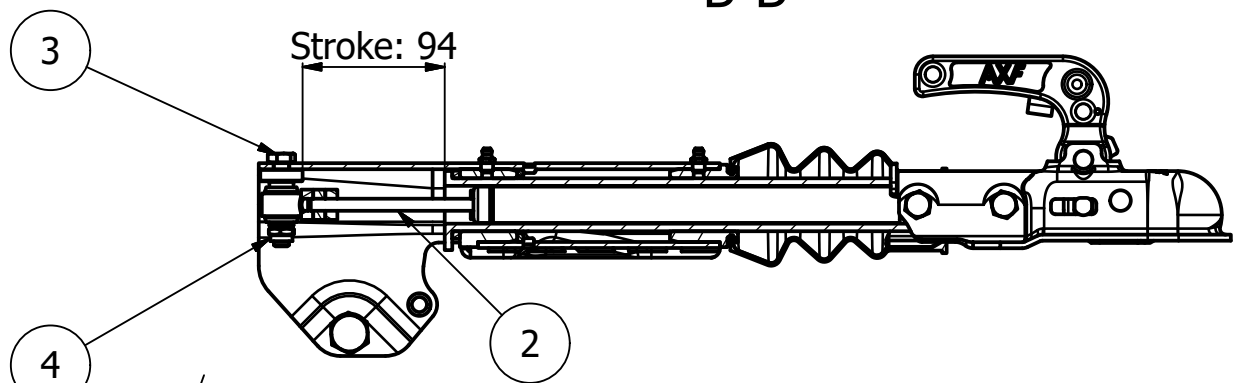


The owner of this design is Frenco s.r.l and it is absolutely forbidden the copy or the spreada of it S-PR-04-01.07



B-B



AXF - AxlesFRENCO
 E TV Dc14,95 S100
 I (E11) e11 00-3458
 L 55R-016435

RV15007570 Data: gg/mm/aa
 Ga 900 - 1500 kg Tipo: RF3B
 2006/96/EC TÜV AUTOMOTIVE
 Test Report Number
 361-045-06

ITEM LIST				
ITEM	QTY	ITEM CODE	DESCRIPTION	MATERIAL
1	1	7016M07279	CORPO REP.COMP.1600KG V TV - ellittico -	
2	1	2615A07825	AMM. & BOCCOLA 900/1500KG RF3B	
4	3	1210C01079	DADO M10X1,5 A.BL UNI7474 CL8	N.A.
3	3	1310C06826	VITE M10X55 TE WP UNI5737 8.8	N.A.
5	1	1700C06841	GRASSO TIPO MOBILUX-2	N.A.
6	1	7115A06239	ATT.SF.50 1500KG D35	

Tolleranze generali/Tolerances UNI EN 22768/1-m UNI EN 22768/2-K	Rugosità/Roughness Ra[μm]	Materiale/Material
from 0,5 up to 6 ±0,1 over 400 up to 1000 ±0,8 over 6 up to 30 ±0,2 over 1000 up to 2000 ±1,2 over 30 up to 120 ±0,3 over 2000 up to 4000 ±2 over 120 up to 400 ±0,5		Trattamento termico e/o superficiale - Thermal and/or surface treatment
		N.A.
		Peso/Weight 10,702 kg

 AXF AxlesFRENCO	Smussi non quotati Unspecified chamfers	Raccordi non quotati Unspecified fillets	Sforni non quotati Unspecified drafts	Descrizione/Description
	N.A.	N.A.	N.A.	REPULSORE EVF-1500 LB AT.LAM. -ellittico
	Disegnato/Drawn	Approvato/Approved	Formato/Size	Scala/Scale
	M. Treccani	A. Bolzoni	A3	1:5
	Stato/State	Data/Date	Disegno/Design Code	
	In corso	23/02/2014	REV	
			RV15007570	
			A	